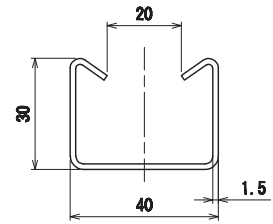
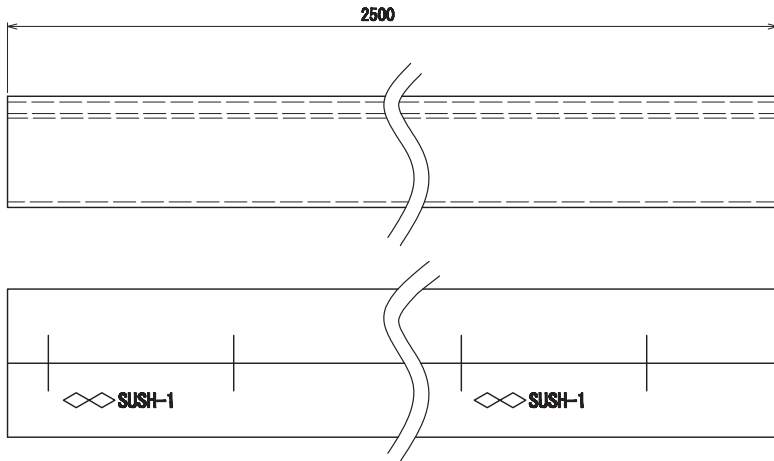


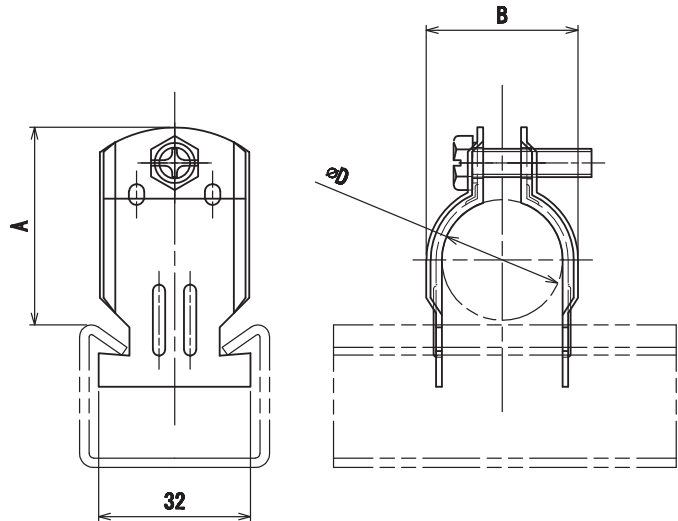
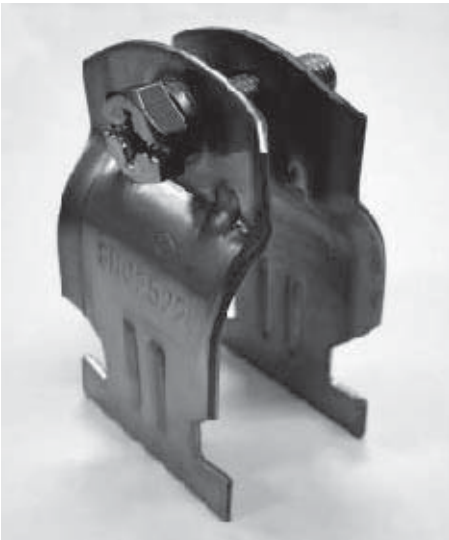
# ハンガー



SUS H-1



# ハンガークリップ



単位m

単位m

品番 Cat. NO	A	B	φD	十字穴付六角ボルト	適合管
SHC19	36.0	25.0	19.1	M6×20	C19・E19
SHC2522	43.0	31.0	25.4	M6×25	C25・E25・G22
SHC3128	50.0	37.0	31.8	M6×25	C31・E31・G28
SHC39	55.0	44.0	38.1	M6×25	C39・E39
SHC51	67.0	56.0	50.8	M6×25	C51・E51
SHC63	80.0	69.0	63.5	M6×25	C63・E63
SHC7570	92.0	82.0	76.2	M6×25	C75・E75・G70

品番 Cat. NO	A	B	φD	十字穴付六角ボルト	適合管
SHC16	37.0	26.0	21.0	M6×25	G16
SHC36	58.0	47.0	41.9	M6×25	G36
SHC42	64.0	53.0	47.8	M6×25	G42
SHC54	76.0	65.0	59.6	M6×25	G54
SHC82	104.0	94.0	87.9	M6×25	G82
SHC92	118.0	106.7	100.7	M6×25	G92
SHC104	130.0	119.4	113.4	M6×25	G104