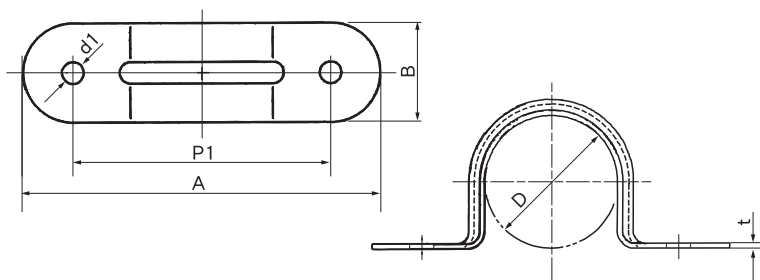


サドル



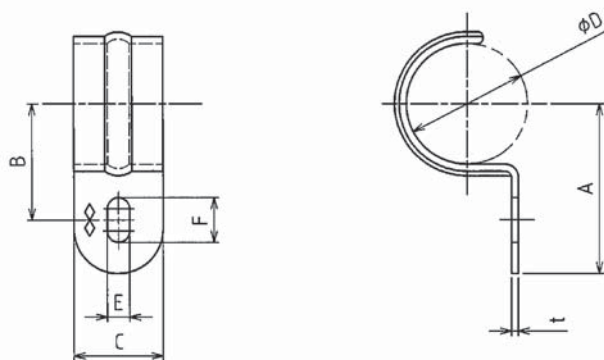
単位mm

品番 Cat. NO	呼び Size	L	P1	W	D	d1	t
SS019	19	60	40	15	19.6	5.0	0.8
SS025	25	70	50	20	25.6	5.0	0.8
SS031	31	85	60	25	32.6	5.5	1.2
SS039	39	95	70	25	38.6	5.5	1.2
SS051	51	110	85	25	51.4	5.5	1.5
SS063	63	130	105	25	64.2	5.5	1.5
SS075	75	150	120	30	77.0	6.5	1.5

単位mm

品番 Cat. NO	呼び Size	L	P1	W	D	d1	t
SS016	16	65	45	20	22.4	5.0	0.8
SS022	22	75	55	20	27.9	5.0	0.8
SS028	28	90	65	25	34.7	5.5	1.2
SS036	36	100	75	25	43.4	5.5	1.2
SS042	42	110	85	25	49.3	5.5	1.5
SS054	54	125	100	25	61.2	5.5	1.5
SS070	70	150	120	30	77.0	6.5	1.5
SS082	82	165	135	35	89.8	6.5	1.5
SS092	92	180	150	35	101.4	6.5	1.5
SS104	104	200	170	35	115.1	6.5	1.5

片サドル



単位mm

品番 Cat. NO	呼び Size	A	B	C	D	E	F	t
SSK019	19	35	23	20	19.5	5.0	10	1.5
SSK025	25	38	26	20	25.5	5.0	10	1.5
SSK031	31	45	31	25	32.0	6.5	12	1.5
SSK039	39	49	35	25	38.5	6.5	12	1.5
SSK051	51	56	42	25	51.0	6.5	12	2.0
SSK063	63	62	48	25	64.0	6.5	12	2.0
SSK075	75	75	58	30	76.3	7.0	12	1.6

単位mm

品番 Cat. NO	呼び Size	A	B	C	D	E	F	t
SSK016	16	35	23	20	21.5	5.0	10	1.5
SSK022	22	38	26	20	27.0	5.0	10	1.5
SSK028	28	46	32	25	33.5	6.5	12	1.5
SSK036	36	51	37	25	42.0	6.5	12	1.5
SSK042	42	54	40	25	48.0	6.5	12	2.0
SSK054	54	60	46	25	60.0	6.5	12	2.0
SSK070	70	75	58	30	76.3	7.0	12	1.6